



Turbo Liquidisers Turbo Liquidiser for Purées - 1 speed

ITEM # _____

MODEL # _____

NAME # _____

SIS # _____

AIA # _____



603671 (DTBX130P1V)

Turbo liquidizer, removable
mixer tube for purées, 1 speed
- 230-400/3/50

Short Form Specification

Item No. _____

Constructed entirely in stainless steel. Mounted on a mobile stainless steel trolley. Height adjustable on installation. Can be adapted to all recipient shapes. Safety device that allows the machine to start only when it is in a working position. Incorporates a turbine which accelerates the flow of the liquid over the impeller giving greater throughput and finer grinding. Protective ring covering the grinding head. Puree mixer tube is easily removable without tools and can be dismantled in separate parts: tube, shaft, bearing and rotor. 1 speed: 1600 rpm. The touch button control panel has IP65 protection with low voltage level.

Main Features

- Suggested for pans containing up to 700 liters of liquid or up to 200 kg of potatoes.
- Used to mix, blend and emulsify vegetable and soups, fruit and vegetable purées, liquid pastries, sauces and much more directly in cooking pots/containers.
- Liquidiser is mounted on a mobile stainless steel trolley and is height adjustable on installation.
- Mixer tube is easily removable without tools and can be dismantled in separate parts: tube, shaft, bearing and rotor.
- Turbine accelerates the flow of the liquid over the impeller providing a greater throughput and finer grinding.
- Safety device allows the machine to start only when it is in a working position.
- Equipped with protective ring to cover grinding head.

Construction

- Constructed entirely in stainless steel to offer maximum durability.
- Power: 1500 watts.
- IP65 touch button control panel.
- 1 speed: 1600 rpm.

Optional Accessories

- TBX Pro soup grid, hole diam. 19 mm PNC 653507
- TBX Pro soup head for Braising Pan PNC 653521
(without tube)

APPROVAL: _____

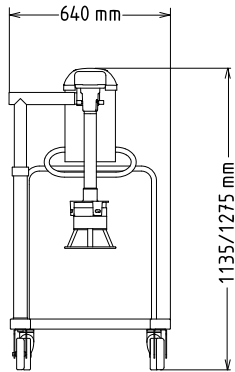




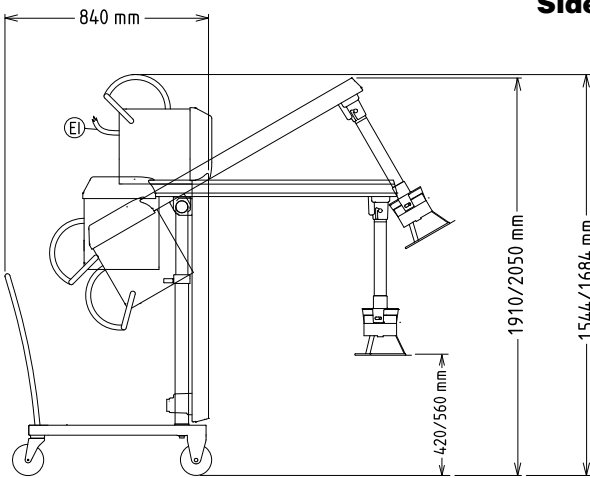
Turbo Liquidisers

Turbo Liquidiser for Purées - 1 speed

Front

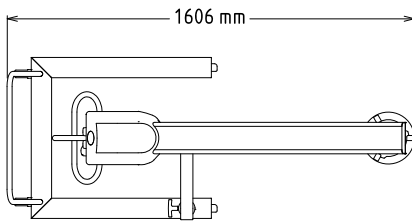


Side



EI = Electrical inlet (power)

Top



Electric

Supply voltage:

603671 (DTBX130P1V)

220-240/380-415 V/3 ph/50 Hz

Electrical power max.:

1.5 kW

Total Watts:

1.5 kW

Capacity:

Capacity (up to):

700 litres

Key Information:

External dimensions, Width:

689 mm

External dimensions, Depth:

1600 mm

External dimensions, Height:

1278 mm

Shipping weight:

110 kg



Turbo Liquidisers
Turbo Liquidiser for Purées - 1 speed

The company reserves the right to make modifications to the products without prior notice. All information correct at time of printing.

2022.07.28